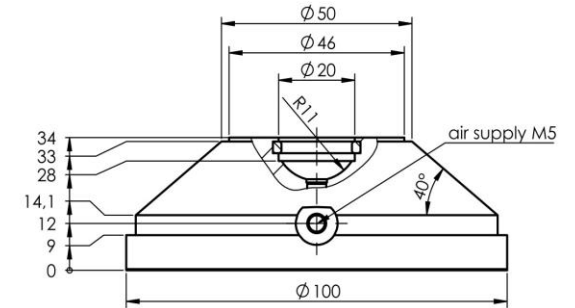


mixed friction range 5 bar — 6 bar —



Thermodynamically optimized air cushion due to micro groove system.¹⁾ Bearing surface with dry running coating.

| Air supply pressure ²⁾ | bar _{rel} | 5 | 6 |
|-----------------------------------|--------------------|------|------|
| Maximum carrying capacity | N | 3100 | 3650 |
| Nominal carrying capacity | N | 2300 | 2700 |
| Gap height ³⁾ | μm | 3.1 | 3.1 |
| Static stiffness ³⁾ | N/μm | 510 | 600 |
| Air consumption ³⁾ | Sl/min | 0.40 | 0.46 |
| Maximum velocity ³⁾ | m/s | 5 | 6 |
| Weight | g | 528 | 528 |

Air supply thread M5
Adapted with pressure screw EZ-0149/EZ-0150 M24x1.5-R11

¹⁾ Patents: US 6,164,827, DE 199 18 564 A1

²⁾ deviating supply pressures on request

³⁾ at nominal carrying capacity

Visit our website for information on bearing design and function, counterface and air quality requirements, and the definition of gap height.

Subject to technical modifications and typographical errors.