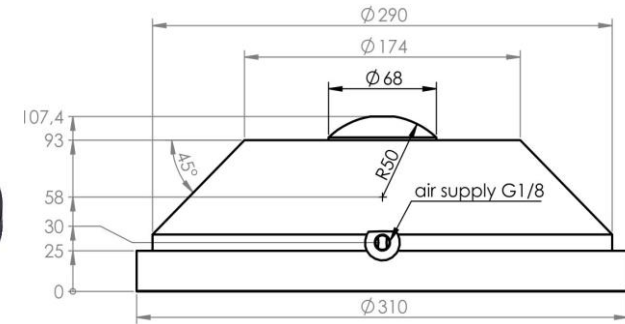


mixed friction range 5 bar — 6 bar —



Thermodynamically optimized air cushion due to micro groove system.¹⁾ Bearing surface with dry running coating.

Air supply pressure ²⁾	bar _{rel}	5	6
Maximum carrying capacity	kN	33.0	39.0
Nominal carrying capacity	kN	24.5	28.5
Gap height ³⁾	μm	5.8	5.8
Static stiffness ³⁾	N/μm	3600	4150
Air consumption ³⁾	l/min	3.84	4.48
Maximum velocity ³⁾	m/s	5	6
Weight	kg	14.0	14.0

Air supply thread G1/8"
Adapted with pressure screw EZ-0249 M72x2-R50

¹⁾ Patents: US 6,164,827, DE 199 18 564 A1

²⁾ deviating supply pressures on request

³⁾ at nominal carrying capacity

Visit our website for information on bearing design and function, counterface and air quality requirements, and the definition of gap height.

Subject to technical modifications and typographical errors.